

Product selected: SHP-TS 400W

A range of tubular and elliptical high-pressure sodium lamps offering the unique combination of good colour appearance and very high efficacy, higher luminous flux and considerably longer life compared to standard types.

Applications
<ul style="list-style-type: none"> - Residential street lighting - Hi-mast multi-level junction lighting - Safety/security/amenity floodlighting - Motorway and major road lighting - Hi-bay industrial lighting

Features
<ul style="list-style-type: none"> - A pleasant, warm, golden colour light - High efficacy: up to 150 lm/W - Colour temperature: 2050 K - Envelope shape/finish: tubular clear/elliptical coated - 4 year product, T90 = 16000 hours - Offers increased lighting levels and an extended maintenance-free service life in all road and industrial applications

Directions for use
<ul style="list-style-type: none"> - Burning position: universal - Can be operated on ignitors in accordance with IEC 60927 - Open fixture rated

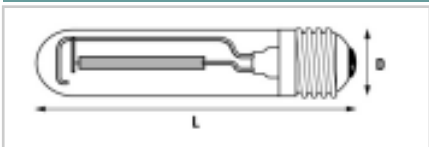
Product Attributes

Item description	SHP-TS 400W
Nominal wattage (W)	400
Rated wattage at 50 Hz (W)	396.1
Nominal Voltage (V)	100
Nominal Current (A)	4.5
Cap	E40
Maximum Lamp length L [mm]	292
Diameter D [mm]	48
Bulb finish / Light colour	Clear
Rated luminous flux at 25°C (lm)	54526
Rated lamp efficacy (lm/W) at 100 h - 50 Hz	140
Rated lumen maint. Factor at 2000 h	0.98
Rated lumen maint. Factor at 4000 h	0.96
Rated lumen maint. Factor at 6000 h	0.94
Rated lumen maint. Factor at 8000 h	0.93
Rated lumen maint. Factor at 12000 h	0.91
Rated lumen maint. Factor at 16000 h	0.90
Rated lumen maint. Factor at 20000 h	0.89
Nominal average life (h)	32000
Rated survival factor at 2000 h	1.00
Rated survival factor at 4000 h	1.00
Rated survival factor at 6000 h	0.99
Rated survival factor at 8000 h	0.99
Rated survival factor at 12000 h	0.96
Rated survival factor at 16000 h	0.90
Rated survival factor at 20000 h	0.81
Mercury content per lamp [mg]	21.6
Colour rendering Index - CRI (class / %)	4/20
Colour temperature (K)	2050
Ambient temperature for max. lumen flux (°C)	25
Rated lamp efficacy (lm/W) at 100 h - 50 Hz	140
Nominal average life (h)	32000
Packing Quantity	12
EAN Code	5410288207148
Ordering Code	0020714

Product Image



Product line drawing (image)

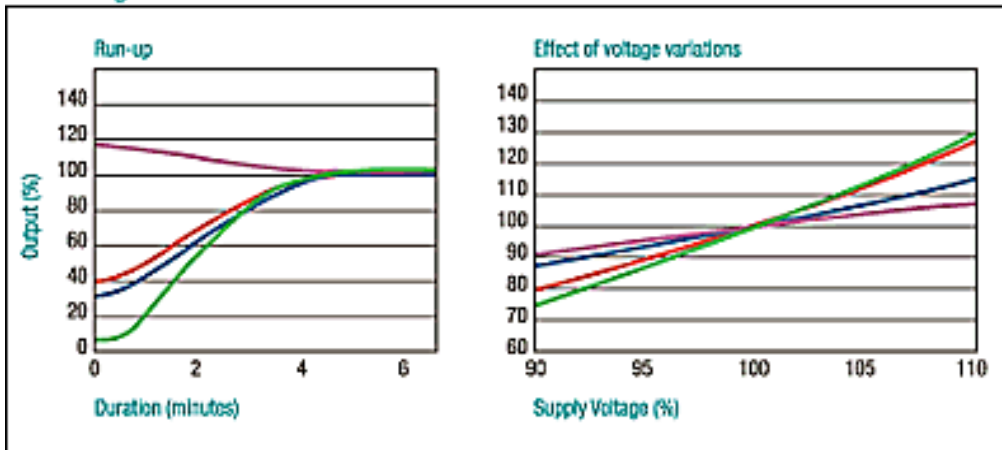


Fixture rating

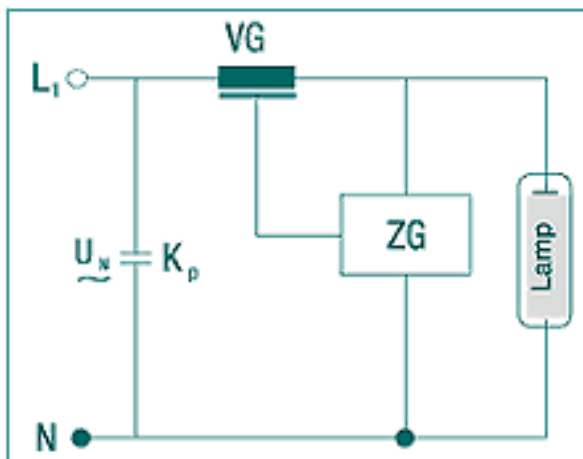


Run up characteristics (image)

High Pressure Sodium



Circuit diagram (image)



- L Live conductor L_1, L_2, L_3
- N Neutral conductor
- U_N power supply voltage 230V~
(400V~ for HSI-T 2000V)
- VG ballast
- K_p lead capacitor
- ZG start-up system
- K_z start-up capacitor
- ST stray field transformer
- CWA constant wattage autotransformer